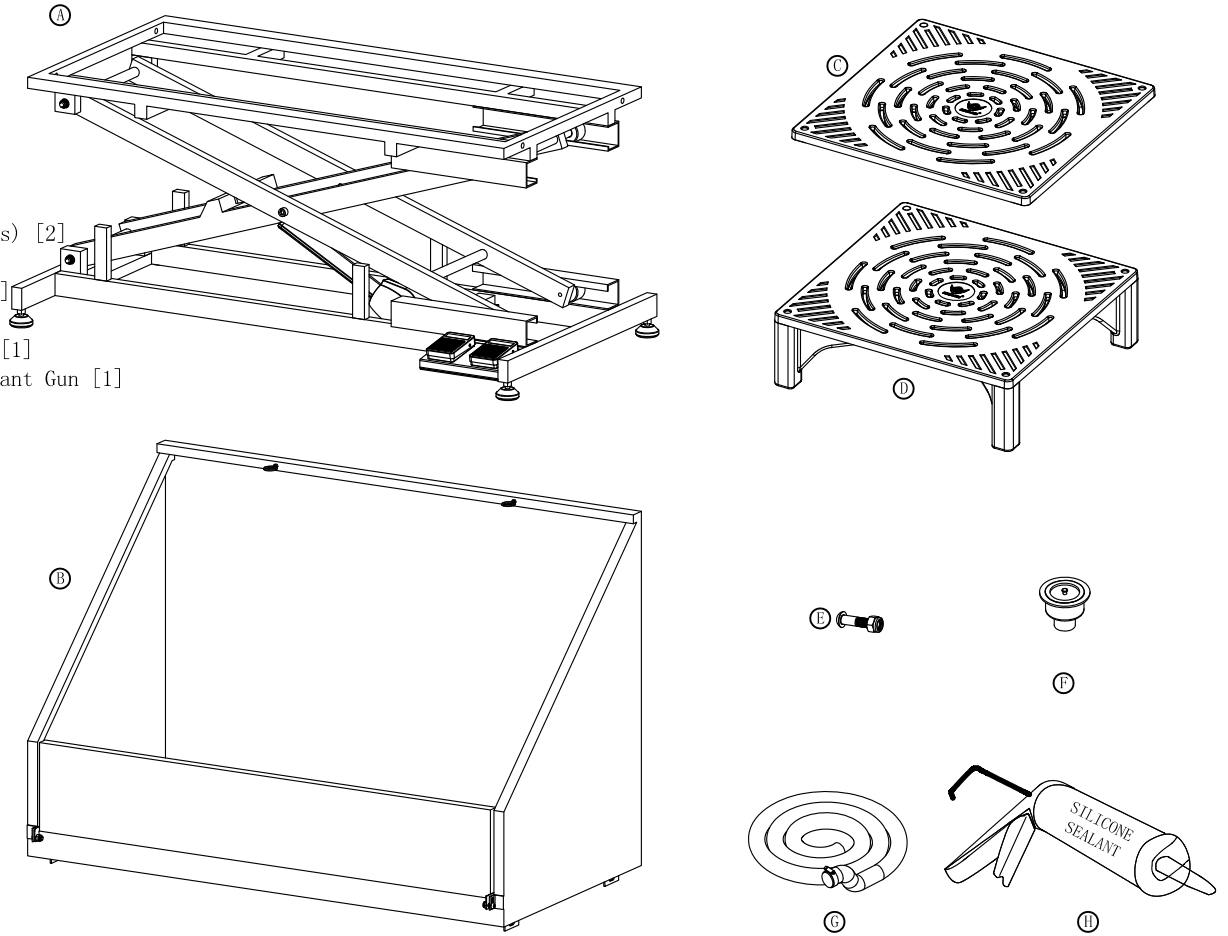


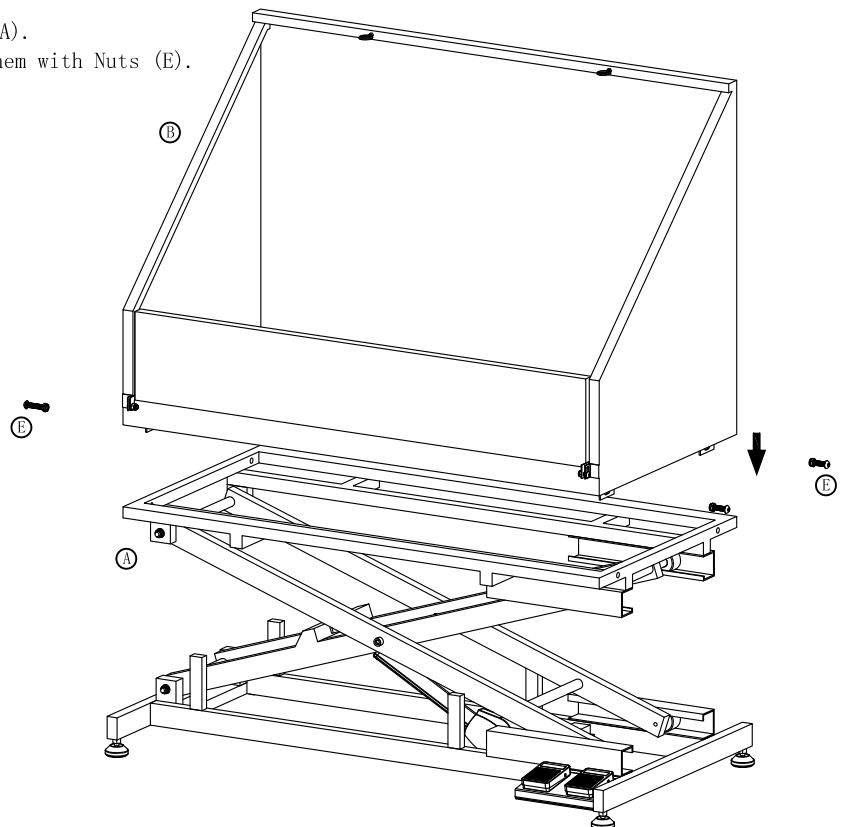
## Parts List:

- (A) Electric Base [1]
- (B) Tub Basin [1]
- (C) Plastic Footboard(s) [2]
- (D) Plastic Stool [1]
- (E) Bolts (M10x0.45) [4]
- (F) Drain head [1]
- (G) Drain Hose w/Hoop [1]
- (H) Silicone Glue Sealant Gun [1]



## Assembly:

1. Lower the Tub Basin (B) onto the Electric Base (A). Insert left and right Bolts (E) and securely tighten them with Nuts (E).

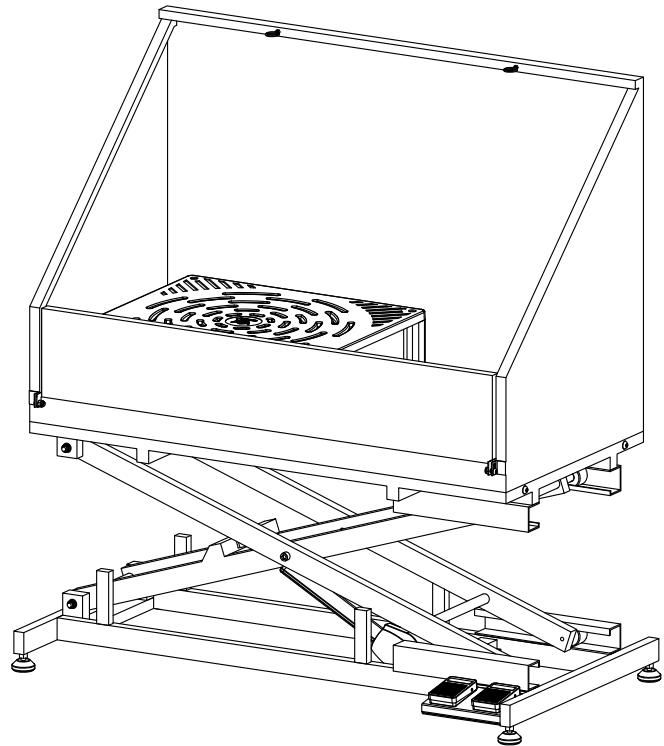
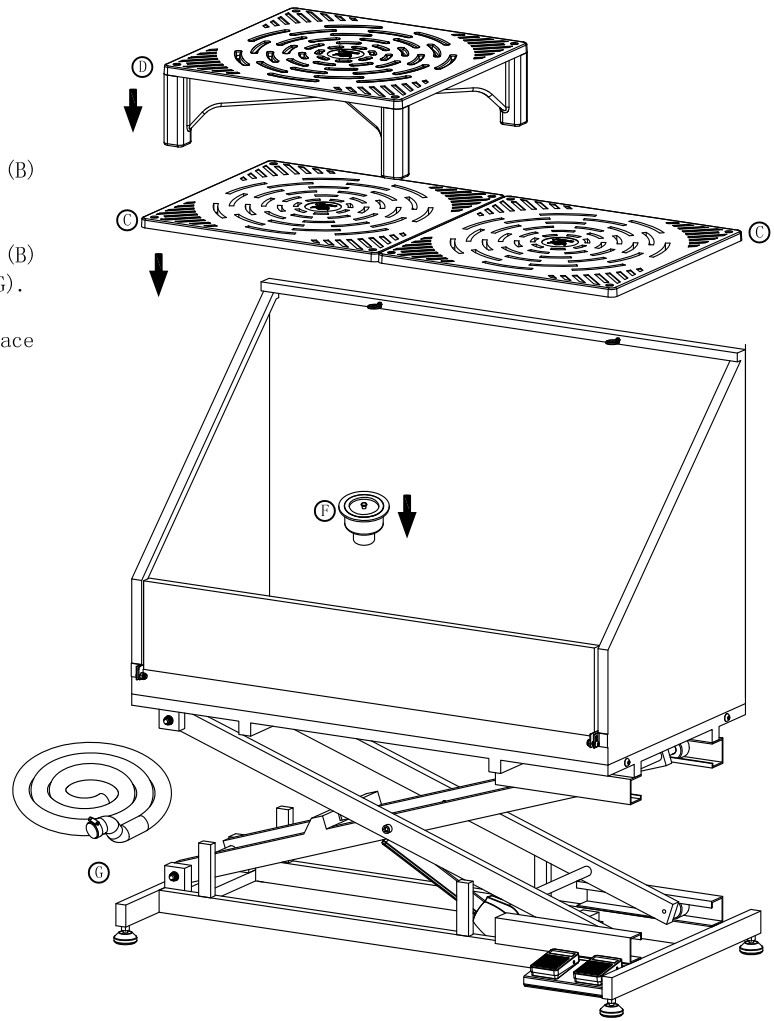


Assembly Continued:

2. Evenly fill the bottom gaps of the Tub Basin (B) with Silicone Glue Sealant Gun (H).

3. Position the Drain Head (F) in the Tub Basin (B) opening and securely bolt to Drain Hose w/ Hoop (G).

4. Lay both Plastic Footboard(s) (C) and place Plastic Stool (D) into the Tub Basin (B).



Deluxe Ultra Thick Electrical Stainless Steel Tub; 1/8" ultra thick stainless steel board, European style, full open front door, super stable supporting legs, half knock-down package